

6

5

4

3

2

1

D

D

C

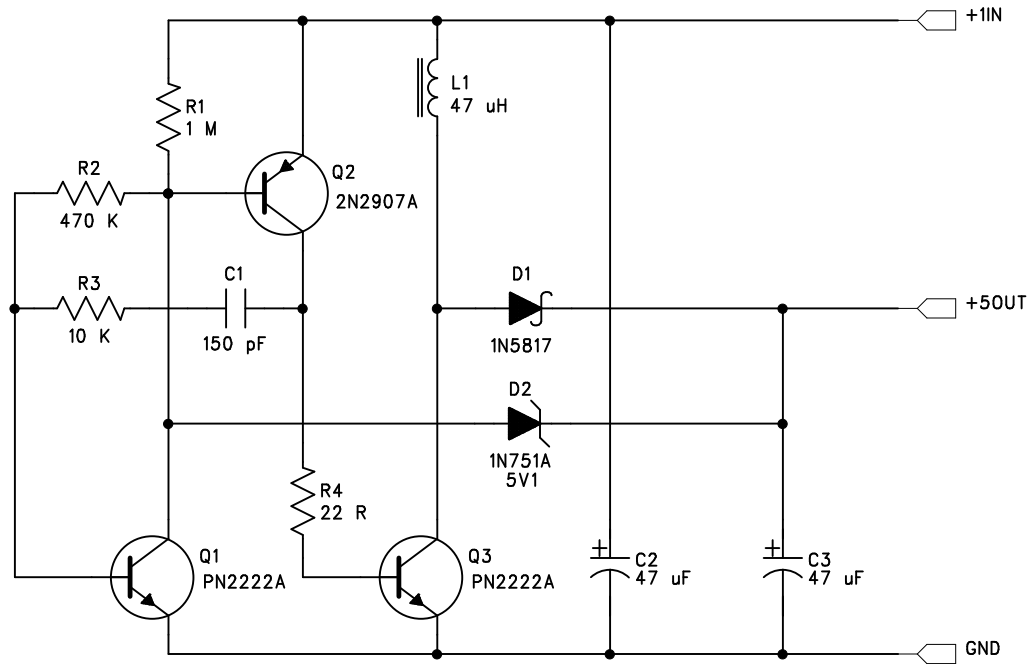
C

B

B

A

A



COMPANY:

Bob Blick

(c) Copyright 2003 Bob Blick. Freely distributable as long as this copyright notice remains intact.

TITLE:

1 CELL PFM BOOST CONVERTER

DATE:

JULY 5, 2003

DRAWN BY:

Bob Blick

REV: