

6

5

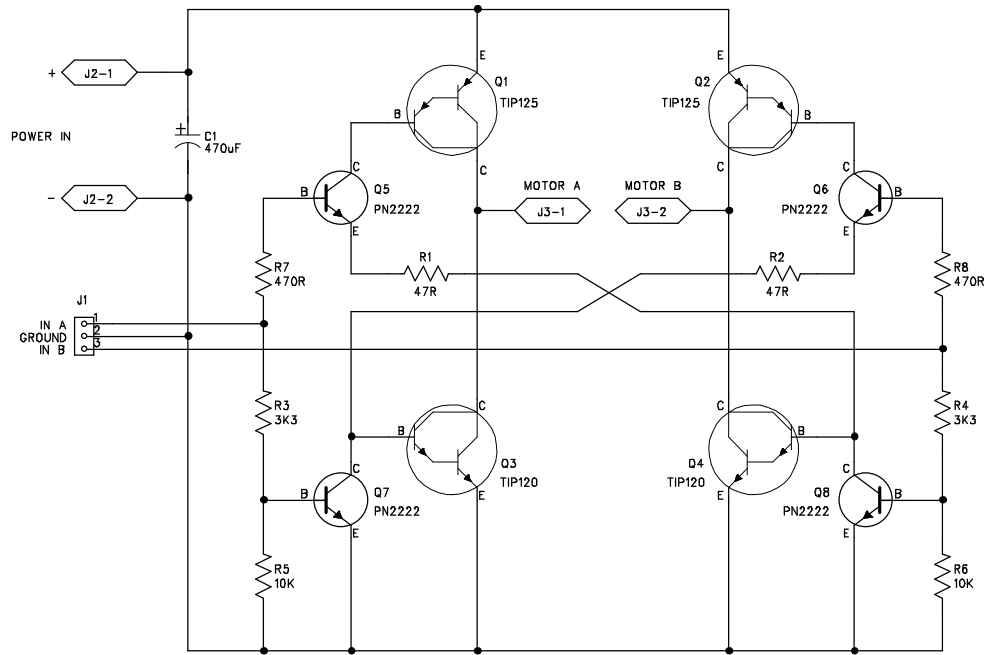
4

3

2

1

REVISION RECORD			
LTR	ECO NO:	APPROVED:	DATE:



COMPANY:

TITLE:  
**H Bridge**  
(c)1998 Bob Blick

DRAWN: <b>Bob Blick</b>	DATED: SEPT 08, 1998
CHECKED:	DATED:
QUALITY CONTROL:	DATED:
RELEASED:	DATED:

CODE:	SIZE:	DRAWING NO:	REV:
SCALE:	SHEET:	OF	

D

C

B

A

D

C

B

A